



**AGILE
OFFROAD**
SMARTER THAN DIRT



INSTALLATION GUIDE

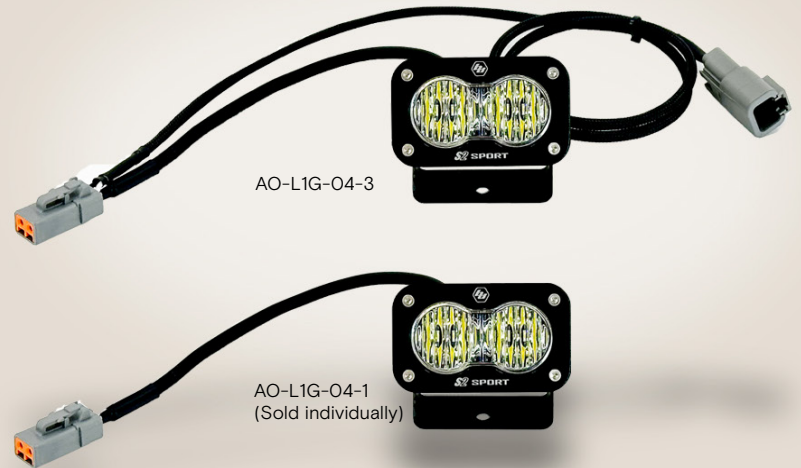
Baja Design Work/Scene Light Kit for Roof
Grab Handle by Agile Offroad

AO-10082
AO-L1G-04-1
AO-L1G-04-3

INSTALLATION GUIDE

DISCOVER ENHANCED VISIBILITY OF A BAJA DESIGNS WORK/SCENE LIGHT KIT

Work-Scene Roof Bracket Mount (SS) for INEOS Grenadier
by Agile Offroad



Add these utility lights and improve your off-road adventures with the S2 Sport Black LED Auxiliary Light Pod, offering enhanced visibility at the side of your vehicle. Visibility is paramount when out on the trails, and these Grenadier Roof Rack Work/Scene Lights offer unmatched performance. This kit comes pre-wired and is a plug-and-play using your Grenadier roof power outlets. Comprised of an S2 Sport Black LED Auxiliary Light Pod w/Clear Lens and mounting bracket. Bolts directly to the Grenadier roof grab handle with no drilling or modification required. The S2 is a compact and powerful light, featuring quality that is second to none.

SKU

AO-L1G-04 Series

PARTS INCLUDED

Part # AO-L1G-04-1

1 x S2 Sport Baja Designs LED Light

1 x AO Work/Scene Roof Grab Handle Mounting Bracket

1 x Hardware Kit

Part # AO-L1G-04-3 Light with Y Connector

2 x S2 Sport Baja Designs LED Light

2 x AO Work/Scene Roof Grab Handle Mounting Bracket

1 x Hardware Kit

TOOL NEEDED

½" Allen Wrench

Anti-Seize Lube

T30 Torx Bit

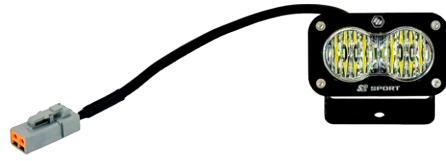
INSTALLATION TIME

30 Minutes

INSTALLATION GUIDE

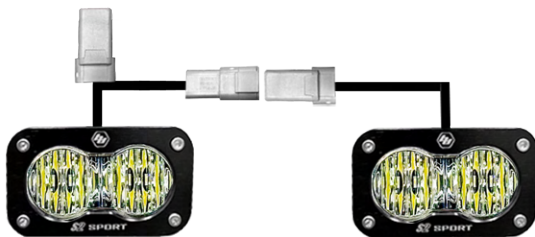
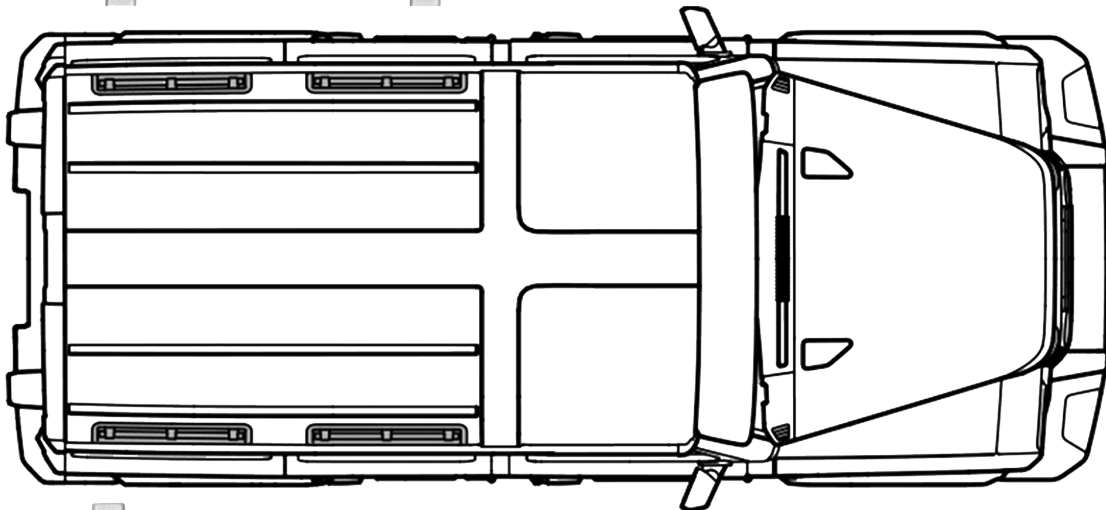


Part # AO-L1G-04-3



Part # AO-L1G-04-1

Part # AO-L1G-04-1 Part # AO-L1G-04-1



Part # AO-L1G-04-3

Part # AO-L1G-04-3

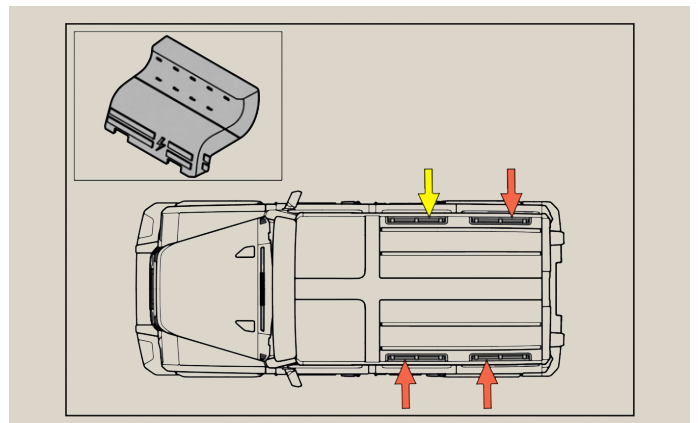
INSTALLATION GUIDE



1. Each light must be assembled using two of the supplied button head screws, two tooth lock washers, and an AO Light Bracket.



2 A/B. Install the bracket onto light as shown. The tooth lock washers must be installed in between the light bracket and the light housing. Apply a small amount of anti-seize lube to button head bolts.



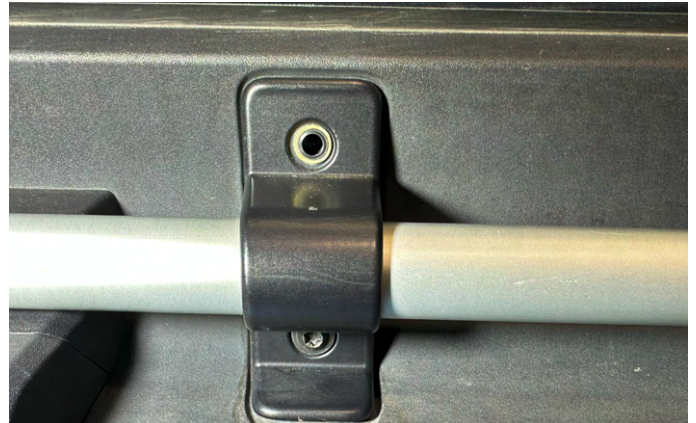
3. Use an $\frac{1}{8}$ " Allen wrench to snug tighten the button head bolts. Position the AO Light Bracket as shown.

4. The Grenadier Quartermaster comes equipped with four roof outlets. The outlets with orange arrows are all on a single circuit/switch. The outlet with the yellow arrow is on a separate circuit/switch.

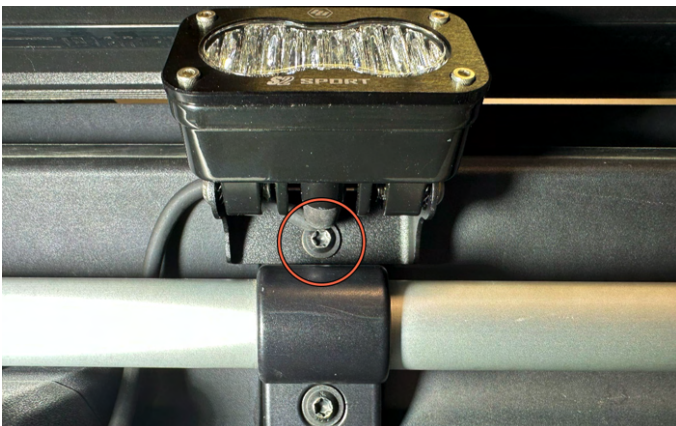
INSTALLATION GUIDE



5. Use a T30 Torx bit to remove the upper grab handle bolt.



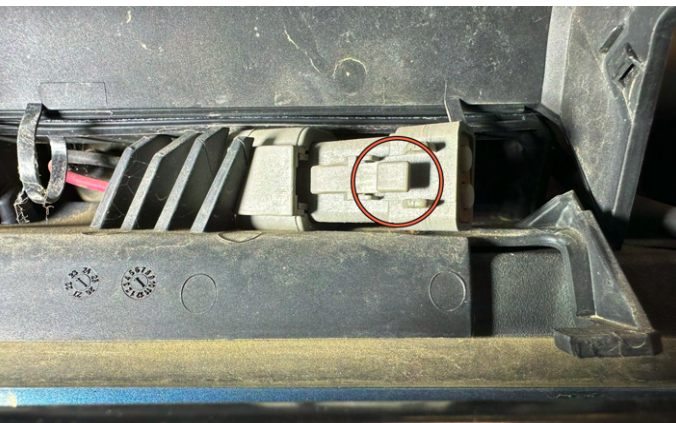
6. Remove bolt. Leave the factory seal/washer on mount.



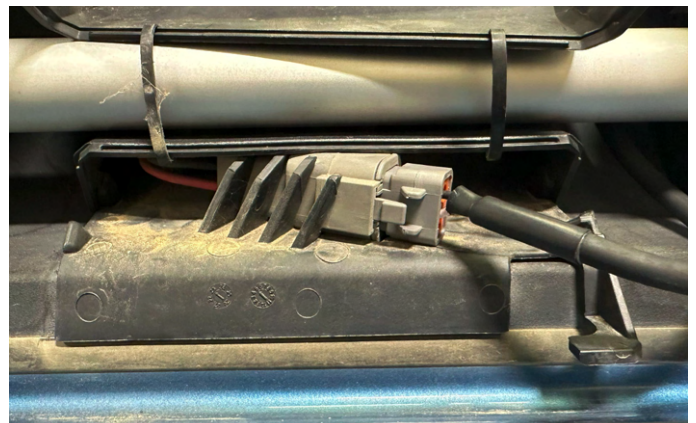
7. Attach the light assembly using the factory bolt. Torque to 5 ft lbs.



8. Lift the roof outlet cover.



9. The power connector comes from factory with a plug. Push in on tab and pull to remove.



10. Connect the light connector into the power connector.

INSTALLATION GUIDE

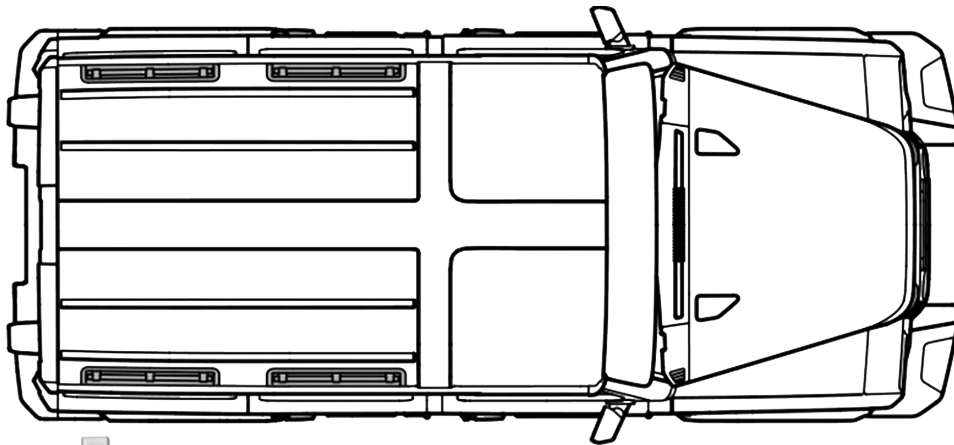


11. Close outlet cover. Adjust the light to desired angle then use an $\frac{1}{8}$ " Allen wrench to fully tighten button head screws.

PASSENGERS SIDE S2 SPORT LIGHT WITH Y CONNECTOR:

Use part # AO-L1G-04-3 to illuminate the front right passenger side light using the EXT 3 Overhead Control Panel switch.

12. Follow steps 1-8 to assemble and install the S2 Sport Light with Y Connect to the right rear location. Connect the male plug into the factory power connect. Run the Y wire to the right front location. Plug the AO-L1G-04-1 to the female Y connector to complete the installation.



Part # AO-L1G-04-3

Part # AO-L1G-04-3



INEOS
GRENADIER



AGILE
OFFROAD



Interior



Exterior



Suspension



Air Locker &
Drivetrain



Steering &
Brakes



Air
Compressors



Armor &
Protection



Bumpers



Lighting



Wheels &
Tires



Storage &
Racks



Water &
Fuel Tanks



Winches &
Recovery



Replacement
Parts &
Accessories



Electrical



Tools



agileoffroad.com



info@agileoffroad.com



619-328-1297